

VALVES



PVA Valves

PVA VALVE

VNE'S MODULAR DESIGN SANITARY PROCESS VALVE

PVA VALVE....

This valve has an all stainless one piece stem which seals against the body O-ring for positive shut off. With this design, no seals, disks, or O-rings are fastened to the stem, which could cause product entrapment.

MODULAR DESIGN....

A modular design is used throughout this entire line of valves.

SANITARY....

PVA valves meet 3A requirements. With this state of the art design, it allows optimum CIP cleaning of all product contact surfaces.

PVA VALVE....

- Available in 1.5" - 3"
- Made from T316L Stainless Steel
- Offered as EPDM Standard with Viton® and Silicone options.
- Available in Shut off, Divert, and Tank Outlet Configurations.
- Available with Clamp, Weld, Bevel Seat, and E-Line connections. Other connections are available upon request.
- Available in manual or air actuated. An electronic control head can be used with these air operated valves.

PVA ACCESSORIES....

- Micro switches with Solenoid Valve 110 or 24 volt.
- Indicating lights for open and closed position.
- Tank Bottom Adapter - For Tank Outlet Valve



PVA ACTUATOR....

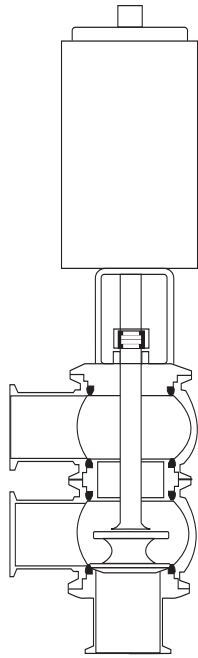
- Maintenance free
- Instantly reversible from normally open (NO) to normally closed (NC) or vice versa.
- Instant assembly of electronic control head.
- Two size Actuators: 4" diameter for 1 1/2" and 2" valves. 5" size for 2 1/2" and 3" valves. Made from T304 Stainless Steel.
- Position indicator stem on top of actuator shows open or closed position.
- Operating Air Pressure range 72 - 108 PSI.



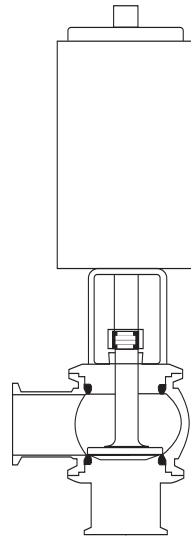
VNE CORPORATION

P.O. Box 1698 • 1149 Barberry Drive • Janesville, WI 53547

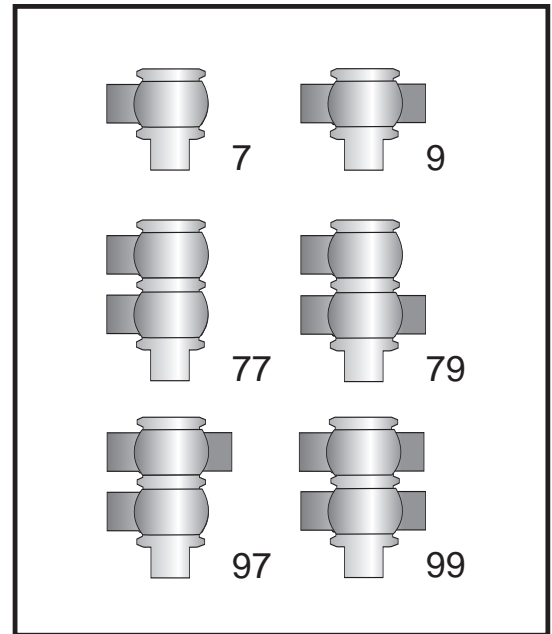
TEL: 608-756-4930 • FAX: 608-756-3643 • 1-800-356-1111 • Web site: vnestainless.com



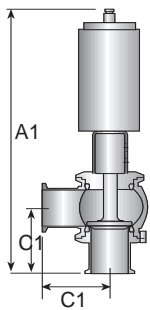
EGPVA-77-NC (NO)-SIZE



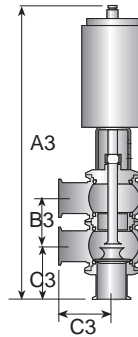
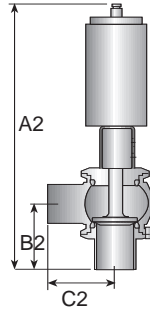
EGPVA-7-NC (NO)-SIZE



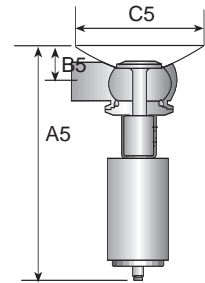
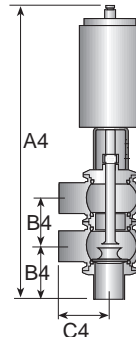
CONFIGURATIONS



SHUT-OFF-VALVE
CLAMP & WELD



DIVERT-VALVE
CLAMP & WELD



TANK-BOTTOM VALVE
WELD

DIMENSION TABLE

SIZE	A1	A2	A3	A4	A5	B2	B3	B4
1 1/2"	15 7/16	14 15/16	18 1/4	17 11/16	15 29/32	2 1/4	2 3/4	2 3/4
2"	16 5/16	15 7/8	19 1/2	19	16 5/16	3	3 1/8	3 1/8
2 1/2"	17 9/16	17	21 1/2	21	17 1/2	3	3 15/16	3 15/16
3"	19	18 1/2	23	22 7/16	18 1/2	3 1/4	4 3/4	4 3/4
SIZE	B4	B5	C1	C2	C3	C4	C5	--
1 1/2"	2 3/8	2 3/8	2 3/4	2 3/4	2 3/4	2 3/4	5 7/8	--
2"	3	2 9/16	3 1/2	3 1/2	3 1/2	3 1/2	5 7/8	--
2 1/2"	3	3 7/32	3 1/2	3 1/2	3 1/2	3 1/2	7 3/32	--
3"	3 1/4	3 13/16	3 3/4	3 3/4	3 3/4	3 3/4	7 7/8	--

SHUT OFF VALVE

EGPVA-7-NC(NO)-SIZE

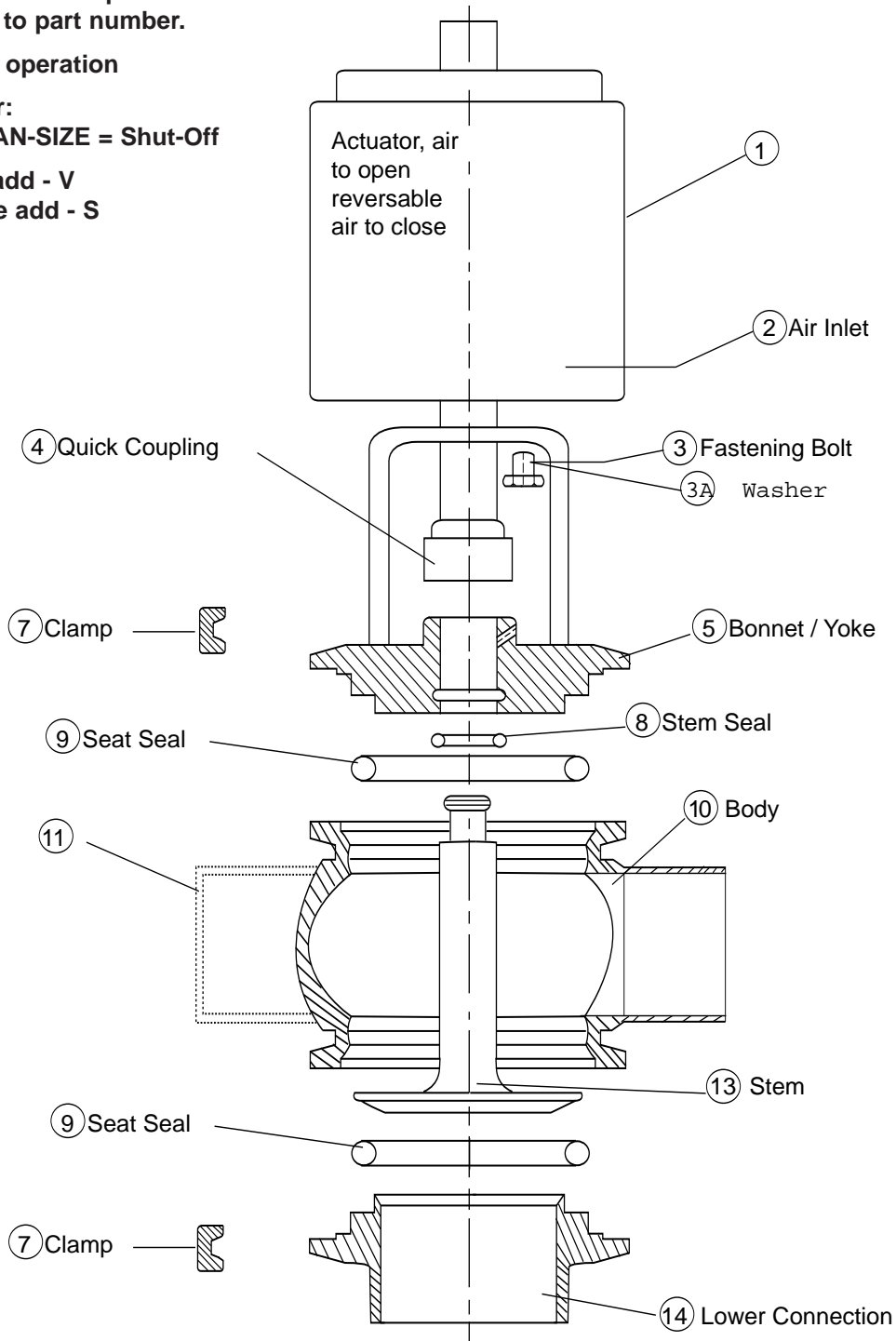
*If control head is required add
110V or 24V to part number.

*For Manual operation

Part Number:
EGPVA-7-MAN-SIZE = Shut-Off

*For Viton® add - V

*For Silicone add - S



TYPE OF PART NUMBER FOR THE COMPLETE VALVE

EPVAP = Bevel

EPVAI = E-line

EGPVA = Clamp

EPVA = Weld

PVA SHUT OFF VALVE

REPLACEMENT PARTS

Item #	Part Number	Description
1.	PVAP-1-NC-(NO)-1.5 & 2.0	4" Actuator is reversible for normally open or normally closed
	PVAP-1-NC-(NO)-2.5 & 3.0	5" Actuator is reversible for normally open or normally closed
2.	PVAP-2-ALL	Air Inlet
3.	PVAP-3-ALL	Fastening Bolt 2 required for 1 1/2" & 2" Valves
		4 Fastening bolts required for 2 1/2" & 3" Valves
3A.	PVAP-3A-ALL	Washer for fastening bolt
4.	PVAP-4-ALL	Quick Disconnect Coupling
5.	PVAP-5-1.5	Bonnet & Yoke for 1 1/2"
	PVAP-5-2.0	Bonnet & Yoke for 2"
	PVAP-5-2.5	Bonnet & Yoke for 2 1/2"
	PVAP-5-3.0	Bonnet & Yoke for 3"
7.	13MHHMD-3.0	Heavy Duty Clamp 3" (For 1 1/2" & 2" Valves)
	13MHHMD-4.0	Heavy Duty Clamp 4" (For 2 1/2" & 3" Valves)
8.	PVAP-8-1.5-2.0 (S)(V)	EPDM, Silicone, or Viton® Stem O-Ring (For 1 1/2" & 2" Valves)
	PVAP-8-2.5-3.0 (S)(V)	EPDM, Silicone, or Viton® Stem O-Ring (For 2 1/2" & 3" Valves)
9.	PVAP-9-1.5 (S)(V)	EPDM, Silicone, or Viton® Seat Seal for 1 1/2"
	PVAP-9-2.0 (S)(V)	EPDM Silicone, or Viton® Seat Seal for 2"
	PVAP-9-2.5 (S)(V)	EPDM, Silicone, or Viton® Seat Seal for 2 1/2"
	PVAP-9-3.0 (S)(V)	EPDM, Silicone, or Viton® Seat Seal for 3"
		EPDM is Standard. For Viton® add V and Silicone add S to the end of the part number. (2 required for Shut-off / 4 required for Divert)
*10.	PVAP-7-10C-1.5	Tee Body (C=Clamp, W=Butt-Weld, B=Bevel Seat,E=E-Line)
	PVAP-7-10C-2.0	Tee Body (C=Clamp, W=Butt-Weld, B=Bevel Seat,E=E-Line)
	PVAP-7-10C-2.5	Tee Body (C=Clamp, W=Butt-Weld, B=Bevel Seat,E=E-Line)
	PVAP-7-10C-3.0	Tee Body (C=Clamp, W=Butt-Weld, B=Bevel Seat,E=E-Line)
*11.	PVAP-9-11C-1.5	Cross Body (C=Clamp, W=Butt-Weld, B=Bevel Seat,E=E-Line)
	PVAP-9-11C-2.0	Cross Body (C=Clamp, W=Butt-Weld, B=Bevel Seat,E=E-Line)
	PVAP-9-11C-2.5	Cross Body (C=Clamp, W=Butt-Weld, B=Bevel Seat,E=E-Line)
	PVAP-9-11C-3.0	Cross Body (C=Clamp, W=Butt-Weld, B=Bevel Seat,E=E-Line)
12.	PVAP-12-1.5	Seal Base Adapter 1 1/2" (For Divert Valve Only)
	PVAP-12-2.0	Seal Base Adapter 2" (For Divert Valve Only)
	PVAP-12-2.5	Seal Base Adapter 2 1/2" (For Divert Valve Only)
	PVAP-12-3.0	Seal Base Adapter 3" (For Divert Valve Only)
13.	PVAP-7-13-1.5	Stem for 1 1/2" Shut off
	PVAP-7-13-2.0	Stem for 2" Shut off
	PVAP-7-13-2.5	Stem for 2 1/2" Shut off
	PVAP-7-13-3.0	Stem for 3" Shut off
	PVAP-77-13-1.5	Stem for 1 1/2" Divert Valve
	PVAP-77-13-2.0	Stem for 2" Divert Valve
	PVAP-77-13-2.5	Stem for 2 1/2" Divert Valve
	PVAP-77-13-3.0	Stem for 3" Divert Valve
*14.	PVAP-14C-1.5	Lower Connection (C=Clamp, W=Butt-Weld, B=Bevel Seat,E=E-Line)
	PVAP-14C-2.0	Lower Connection (C=Clamp, W=Butt-Weld, B=Bevel Seat,E=E-Line)
	PVAP-14C-2.5	Lower Connection (C=Clamp, W=Butt-Weld, B=Bevel Seat,E=E-Line)
	PVAP-14C-3.0	Lower Connection (C=Clamp, W=Butt-Weld, B=Bevel Seat,E=E-Line)

***TYPE OF CONNECTIONS: C = Clamp W = Butt-Weld B = Bevel Seat Thread E = E-Line Female**

DIVERT VALVE

EGPVA-77-NC(NO)SIZE

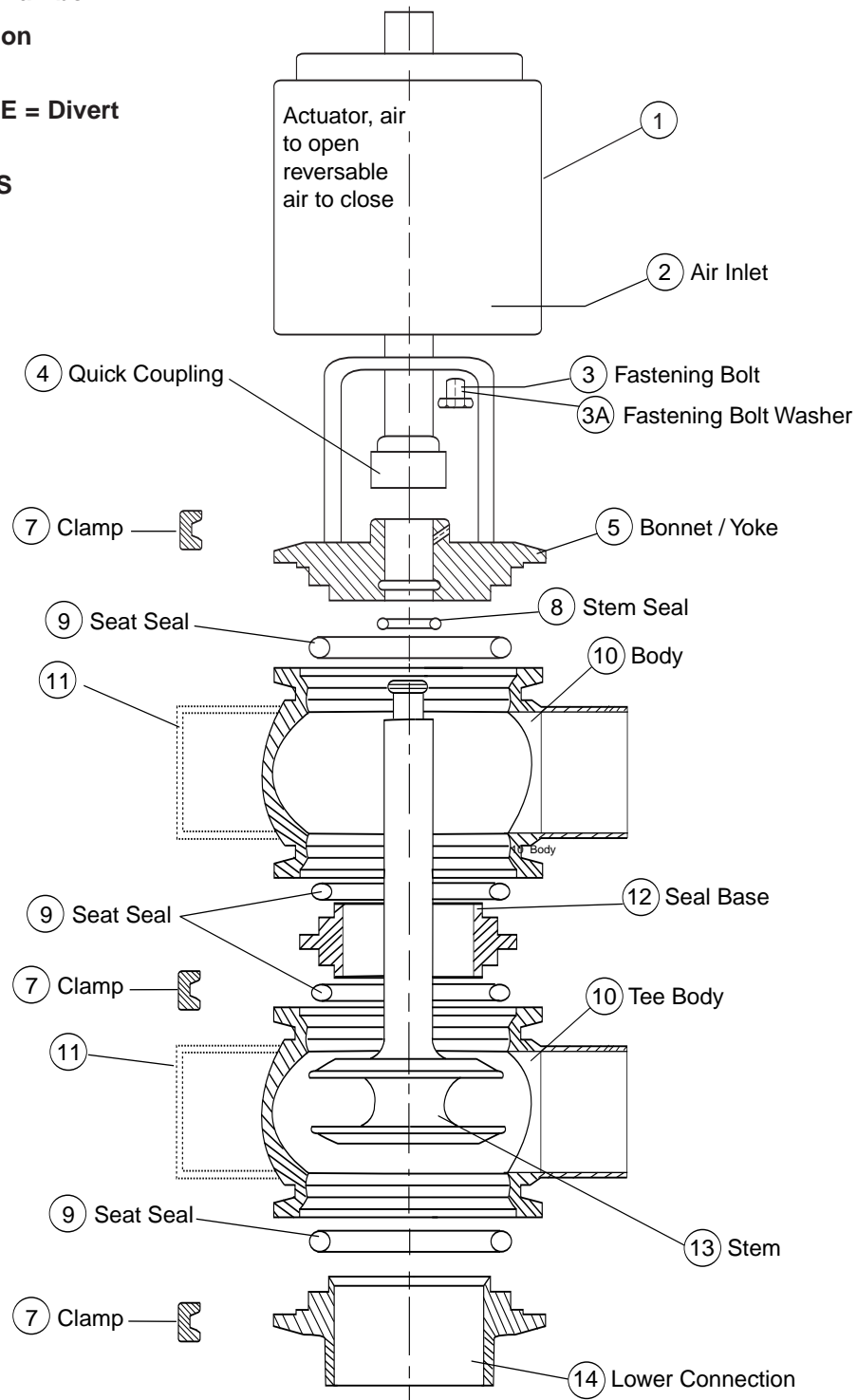
*If control head is required add
110V or 24V to part number.

*For Manual operation

Part Number:
EGPVA-77-MAN-SIZE = Divert

*For Viton® add - V

*For Silicone add - S



TYPE OF PART NUMBER FOR THE COMPLETE VALVE

EPVAP = Bevel

EPVAI = E-line

EGPVA = Clamp

EPVA = Weld

PVA DIVERT VALVE

REPLACEMENT PARTS

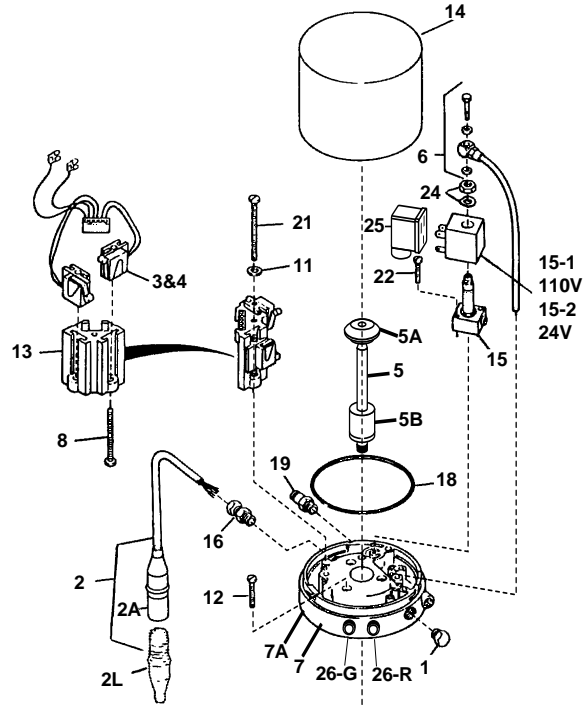
Item #	Part Number	Description
1.	PVAP-1-NC-(NO)-1.5 & 2.0	4" Actuator is reversible for normally open or normally closed
	PVAP-1-NC-(NO)-2.5 & 3.0	5" Actuator is reversible for normally open or normally closed
2.	PVAP-2-ALL	Air Inlet
3.	PVAP-3-ALL	Fastening Bolt 2 required for 1 1/2" & 2" Valves
		4 Fastening bolts required for 2 1/2" & 3" Valves
3A.	PVAP-3A-ALL	Washer for fastening bolt
4.	PVAP-4-ALL	Quick Disconnect Coupling
5.	PVAP-5-1.5	Bonnet & Yoke for 1 1/2"
	PVAP-5-2.0	Bonnet & Yoke for 2"
	PVAP-5-2.5	Bonnet & Yoke for 2 1/2"
	PVAP-5-3.0	Bonnet & Yoke for 3"
7.	13MHHMD-3.0	Heavy Duty Clamp 3" (For 1 1/2" & 2" Valves)
	13MHHMD-4.0	Heavy Duty Clamp 4" (For 2 1/2" & 3" Valves)
8.	PVAP-8-1.5-2.0 (S)(V)	EPDM, Silicone, or Viton® Stem O-Ring (For 1 1/2" & 2" Valves)
	PVAP-8-2.5-3.0 (S)(V)	EPDM, Silicone, or Viton® Stem O-Ring (For 2 1/2" & 3" Valves)
9.	PVAP-9-1.5 (S)(V)	EPDM, Silicone, or Viton® Seat Seal for 1 1/2"
	PVAP-9-2.0 (S)(V)	EPDM, Silicone, or Viton® Seat Seal for 2"
	PVAP-9-2.5 (S)(V)	EPDM, Silicone, or Viton® Seat Seal for 2 1/2"
	PVAP-9-3.0 (S)(V)	EPDM, Silicone, or Viton® Seat Seal for 3"
		EPDM is Standard. For Viton® add V and Silicone add S to the end of the part number. (2 required for Shut-off / 4 required for Divert)
*10.	PVAP-7-10C-1.5	Tee Body (C=Clamp, W=Butt-Weld, B=Bevel Seat,E=E-Line)
	PVAP-7-10C-2.0	Tee Body (C=Clamp, W=Butt-Weld, B=Bevel Seat,E=E-Line)
	PVAP-7-10C-2.5	Tee Body (C=Clamp, W=Butt-Weld, B=Bevel Seat,E=E-Line)
	PVAP-7-10C-3.0	Tee Body (C=Clamp, W=Butt-Weld, B=Bevel Seat,E=E-Line)
*11.	PVAP-9-11C-1.5	Cross Body (C=Clamp, W=Butt-Weld, B=Bevel Seat,E=E-Line)
	PVAP-9-11C-2.0	Cross Body (C=Clamp, W=Butt-Weld, B=Bevel Seat,E=E-Line)
	PVAP-9-11C-2.5	Cross Body (C=Clamp, W=Butt-Weld, B=Bevel Seat,E=E-Line)
	PVAP-9-11C-3.0	Cross Body (C=Clamp, W=Butt-Weld, B=Bevel Seat,E=E-Line)
12.	PVAP-12-1.5	Seal Base Adapter 1 1/2" (For Divert Valve Only)
	PVAP-12-2.0	Seal Base Adapter 2" (For Divert Valve Only)
	PVAP-12-2.5	Seal Base Adapter 2 1/2" (For Divert Valve Only)
	PVAP-12-3.0	Seal Base Adapter 3" (For Divert Valve Only)
13.	PVAP-7-13-1.5	Stem for 1 1/2" Shut off
	PVAP-7-13-2.0	Stem for 2" Shut off
	PVAP-7-13-2.5	Stem for 2 1/2" Shut off
	PVAP-7-13-3.0	Stem for 3" Shut off
	PVAP-77-13-1.5	Stem for 1 1/2" Divert Valve
	PVAP-77-13-2.0	Stem for 2" Divert Valve
	PVAP-77-13-2.5	Stem for 2 1/2" Divert Valve
	PVAP-77-13-3.0	Stem for 3" Divert Valve
*14.	PVAP-14C-1.5	Lower Connection (C=Clamp, W=Butt-Weld, B=Bevel Seat,E=E-Line)
	PVAP-14C-2.0	Lower Connection (C=Clamp, W=Butt-Weld, B=Bevel Seat,E=E-Line)
	PVAP-14C-2.5	Lower Connection (C=Clamp, W=Butt-Weld, B=Bevel Seat,E=E-Line)
	PVAP-14C-3.0	Lower Connection (C=Clamp, W=Butt-Weld, B=Bevel Seat,E=E-Line)

***TYPE OF CONNECTIONS: C = Clamp W = Butt-Weld B = Bevel Seat Thread E = E-Line Female**

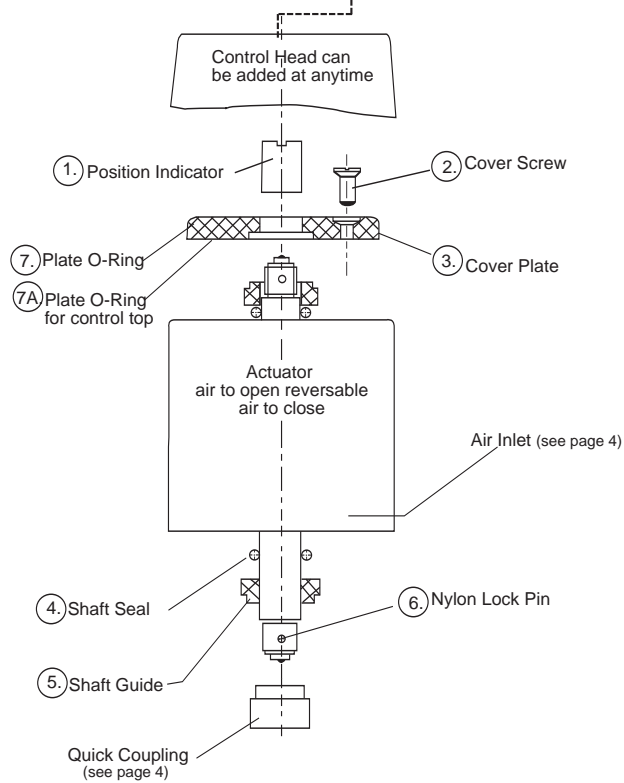
PVA AIR ACTUATOR

AIR ACTUATOR CONTROL HEAD

PVAP-ACTUC-110V (24V)
Complete Control Head



AIR ACTUATOR



PVA AIR ACTUATOR CONTROL TOP

REPLACEMENT PARTS

Item #	Part Number	Description
1	PVAP-ACTUC-1	Stainless Plug
2	PVAP-ACTUC-2	Electronic Adapter (Complete)
2A	PVAP-ACTUC-2A	Electronic Adapter (Actuator Side)
2L	PVAP-ACTUC-2L	Electronic Adapter (Line Side)
3&4	PVAP-ACTUC-3&4	Micro Switches with Harness and Terminal Strip (Complete)
5	PVAP-ACTUC-5	Micro Switch Actuator Stem
5A	PVAP-ACTUC-5A	Micro Switch Actuator Head
5B	PVAP-ATUC-5B	Stem Guide
6	PVAP-ACTUC-6	Air Vent Tube Assembly
7	PVAP-ACTUC-7	Plastic Molded Base
7A	PVAP-ACTUC-7A	Molded Base Complete With Electronics
8	PVAP-ACTUC-8	Adj. Screws for Micro Switch (2 Required)
10	PVAP-ACTUC-10	Actuator Tube
11	PVAP-ACTUC-11	Washer for Block
12	PVAP-ACTUC-12	Base Screws (3 Required)
13	PVAP-ACTUC-13	Switch Block
14	PVAP-ACTUC-14	Cover
15	PVAP-ACTUC-15	Solenoid Valve
15-1	PVAP-ACTUC-15-1	110V Coil Only
15-2	PVAP-ACTUC-15-2	24V Coil Only
16	PVAP-ACTUC-16	Cable Adapter Fitting
18	PVAP-ACTUC-18	Cover O-Ring
19	PVAP-ACTUC-19	Air Inlet Fitting (Upper)
20	PVAP-ACTUC-20	90° Air Fitting (Upper)
21	PVAP-ACTUC-21	Screw for Block
22	PVAP-ACTUC-22	Screws for Solenoid (2 Required)
24	PVAP-ACTUC-24	Nut and Washer for Coil-Solenoid
25	PVAP-ACTUC-25	Plug Connection to Solenoid
26G	PVAP-ACTUC-26G	Indicating Light (Green)
26R	PVAP-ACTUC-26R	Indicating Light (Red)

PVA AIR ACTUATOR

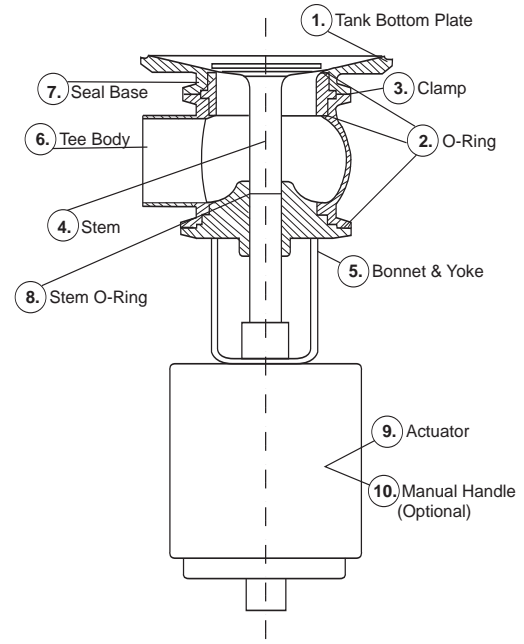
REPLACEMENT PARTS

Item #	Part Number	Description
1.	PVAP-ACT-1	Position Indicator
2.	PVAP-ACT-2	Cover Screw (2 pcs. required)
3.	PVAP-ACT-3	Cover Plate
	PVAP-ACT-3A	Plate for Control Top (2 O-Rings Required 7 and 7A)
4.	PVAP-ACT-4	Shaft Seal
5.	PVAP-ACT-5	Shaft Guide
6.	PVAP-ACT-6	Nylon Lock Pin
7.	PVAP-ACT-7	Plate O-Ring (For Control Top Only)
7A.	PVAP-ACT-7A	Plate O-Ring (For Control Top Only)

TANK-BOTTOM VALVE

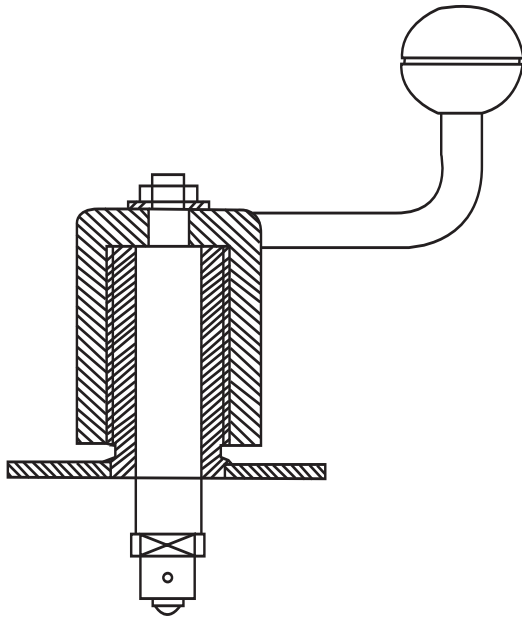
EGPVA-7-TANK-SIZE

Item #	Part Number	Description
1.	PVAP-TANK-1.5	Tank Bottom Plate for 1 1/2"
	PVAP-TANK-2.0	Tank Bottom Plate for 2"
	PVAP-TANK-2.5	Tank Bottom Plate for 2 1/2"
	PVAP-TANK-3.0	Tank Bottom Plate for 3"
2.	PVAP-9-1.5 (S)(V)	Seat Seal, EPDM Standard, Silicone, and Viton® option (3 seals required)
	PVAP-9-2.0 (S)(V)	Seat Seal, EPDM Standard, Silicone, and Viton® option (3 seals required)
	PVAP-9-2.5 (S)(V)	Seat Seal, EPDM Standard, Silicone, and Viton® option (3 seals required)
	PVAP-9-3.0 (S)(V)	Seat Seal, EPDM Standard, Silicone, and Viton® option (3 seals required)
3.	13MHMD-3.0	Clamp for 1 1/2" & 2"
	13MHMD-4.0	Clamp for 2 1/2" & 3"
4.	PVAP-TANK-4-1.5	Stem
	PVAP-TANK-4-2.0	Stem
	PVAP-TANK-4-2.5	Stem
	PVAP-TANK-4-3.0	Stem
5.	PVAP-TANK-5-1.5	Bonnet & Yoke
	PVAP-TANK-5-2.0	Bonnet & Yoke
	PVAP-TANK-5-2.5	Bonnet & Yoke
	PVAP-TANK-5-3.0	Bonnet & Yoke
6.	PVAP-7-10C-1.5	Tee Body (C = Clamp, W = Weld, B = Bevel Seat, E = E-Line)
	PVAP-7-10C-2.0	Tee Body (C = Clamp, W = Weld, B = Bevel Seat, E = E-Line)
	PVAP-7-10C-2.5	Tee Body (C = Clamp, W = Weld, B = Bevel Seat, E = E-Line)
	PVAP-7-10C-3.0	Tee Body (C = Clamp, W = Weld, B = Bevel Seat, E = E-Line)
7.	PVAP-12-1.5	Seal Base Adapter
	PVAP-12-2.0	Seal Base Adapter
	PVAP-12-2.5	Seal Base Adapter
	PVAP-12-3.0	Seal Base Adapter
8.	PVAP-8-1.5-2.0 (V)	Stem O-Ring EPDM Standard, Viton® option
	PVAP-8-2.5-3.0 (V)	Stem O-Ring EPDM Standard, Viton® option
9.	PVAP-1-NC(NO)-1.5 & 2.0	4" Actuator Regulates 1 1/2" - 3" Valves
10.	PVAP-MANUAL-ALL	Manual Handle is Optional (Fits All Sizes)



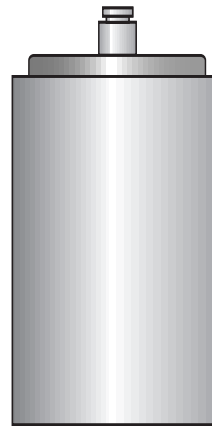
PVA MANUAL AND ADDITIONAL ACTUATORS

MANUAL ACTUATOR, ACTUATOR, & ACTUATOR WITH CONTROL HEAD



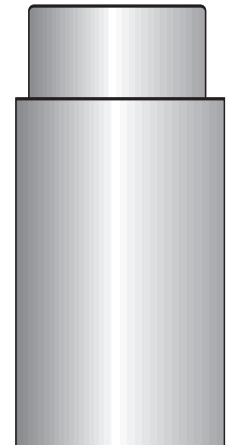
1

Manual Actuator



2

Actuator



3

Actuator with control head

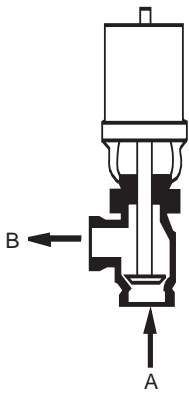
PVA MANUAL AND ADDITIONAL ACTUATORS

REPLACEMENT PARTS

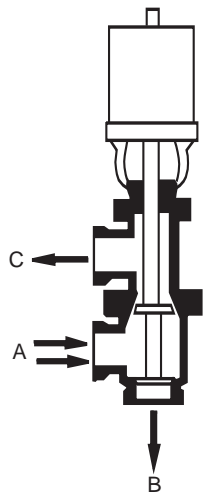
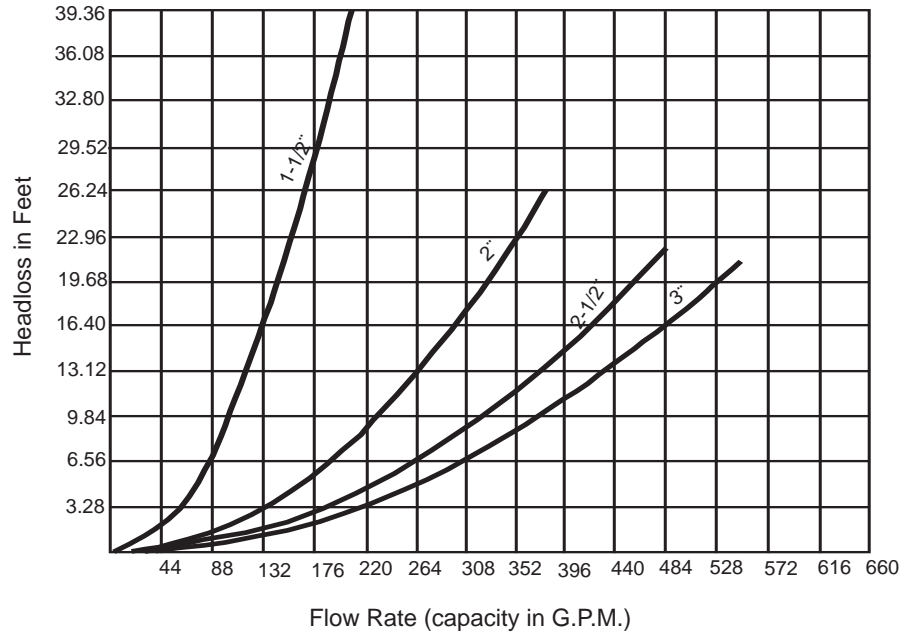
Item #	Part Number	Description
1.	PVAP-MANUAL-ALL	Shut off, Divert and Tank Valve Handle Complete (Fits All Sizes)
2.	PVAP-1-NC-1.5 & 2.0	Pneumatic Actuator (For 1 1/2" & 2" Valves)
	PVAP-1-NC-2.5 & 3.0	Pneumatic Actuator (For 2 1/2" & 3" Valves)
3.	PVAP-1-NC-1.5 & 2.0-110V (24V)	Pneumatic Actuator with Control Head (For 1 1/2" & 2" Valves)
	PVAP-1-NC-2.5 & 3.0-110V (24V)	Pneumatic Actuator with Control Head (For 2 1/2" & 3" Valves)

PVA VALVES DIAGRAMS

PRESSURE DROP / CAPACITY DIAGRAMS



Shut - off Valve



Divert Valve

